



The right way to attach almost anything to metal roofs!

Installation Instructions

S-5!® Warning! Please use these products responsibly! Visit our website or contact your S-5! distributor for available load test results.

IMPORTANT NOTICE to S-5! users: Due to the many variables involved with specific panel products and job particulars, -the manufacturer cannot and does not express any opinions as to the suitability of any S-5! assembly for any specific application and assumes no liability with respect thereto.

S-5! products are tested for ultimate holding strength on various profile types, materials, and brands of manufacture. This information is available from the S-5! website: www.S-5.com. This document is an installation guide only and the photographs and drawings herein are for the purpose of illustrating installation, tools and techniques, not system designs. Information contained within is intended to apply to the document as a whole.

The S-5-NH 1.5 and S-5-NH 1.5 Mini are designed to fit numerous (but dimensionally specific) 1.5" nail strip profiles. These profile types are vast with new variations coming into the market regularly. These clamps may not be suitable for every such profile. To avoid potential damage to roof seam it is important to verify clamp-to-roof suitability prior to installation. Consult the S-5! load table for suitability.

Tools Needed

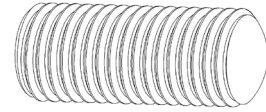
- Screw Gun*
- T-30 Torx Bit Tip (provided)
- Dial-Calibrated Torque Wrench
(For accurate tension values, do NOT use a clicking torque wrench).

To Install S-5-NH 1.5 and S-5-NH 1.5 Mini

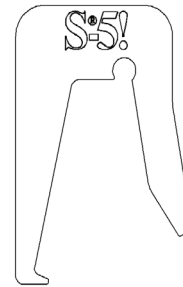
1. Load the setscrew(s) and insert into the clamp. **(Fig 1)**. Insert is reversible, this allows the clamps top surface to sit level to the roof surface on various seam widths.
2. Position clamp and insert at desired location along the seam as shown. **(Figs 2,3)**

Components

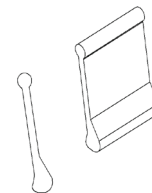
0.9" Round Point
T-30 Torx
Setscrew



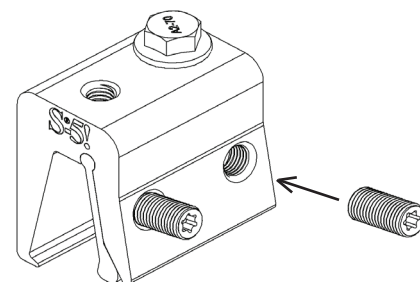
Clamp body



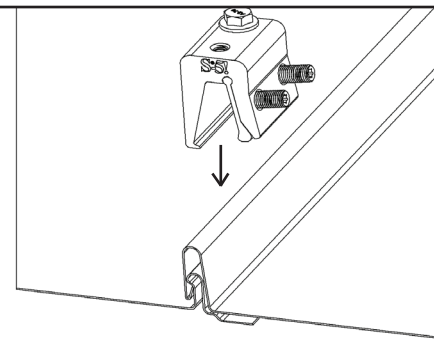
Hinged Insert
(Reversible to fit
a range of seam
widths)



1.



2.



S-5-NH 1.5 and S-5-NH 1.5 Mini Installation Instructions

- The clamp should be over the seam with the insert engaging opposite the open side of the seam as shown. **(Fig 3a)** Make sure the toe of the clamp engages the female part of the seam. **(Fig 3b)**
- Tighten the setscrew(s) using a screw gun* and the included bit tip **(Fig 4)**. When relying on published load values, setscrew tension should be verified periodically using a dial-indicating calibrated torque wrench to ensure the tool is consistently achieving the recommended torque range **(Table 1)**.

Only if installing the Standard-sized Clamp:

Setscrews should be tensioned and re-tensioned as the seam material compresses, (i.e. tighten the first setscrew, then the second; then repeat).

*** For time-saving tool recommendations, call S-5!**

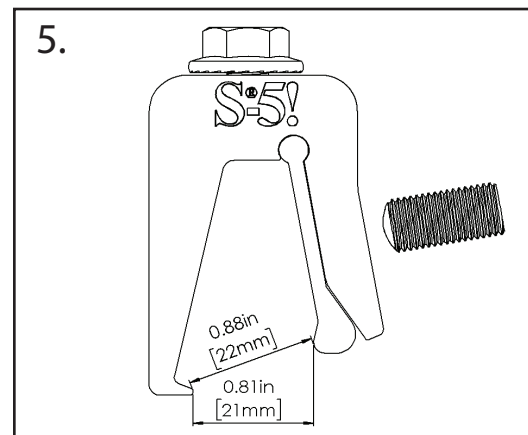
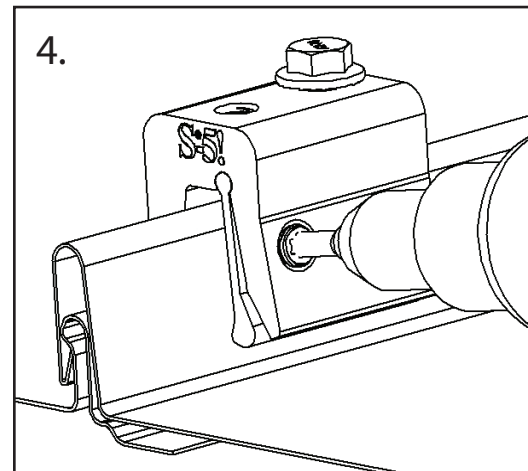
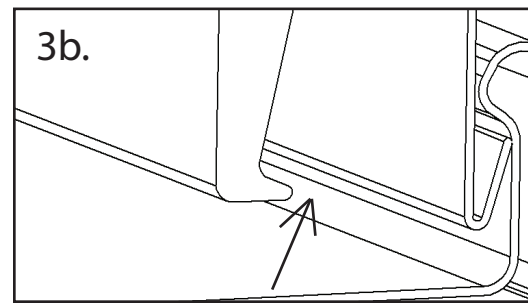
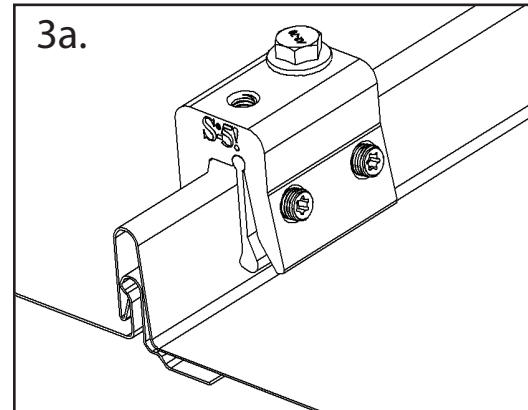
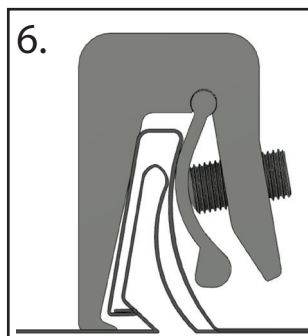
Specified Torque	Inch Pounds	Foot Pounds	Nm
22ga steel	160-180	13-15	18-20
24ga steel and all other metals	130-150	11-12.5	15-17

Table 1

Note: S-5-NH 1.5 packages with a M8-1.25 X 16mm hex flange bolt included. **S-5-NH 1.5 Mini does not package with a top bolt** and may need to be purchased separately for certain applications.

For critical attachment applications utilizing an M8-1.25 X 16 mm hex flange bolt, tighten the M8 bolt to 160 inch pounds (13 foot pounds). Any S-5! warranty and/or calculation may be void if hardware is used that was not furnished by S-5! directly or through a licensed distributor.

Note: After setscrew(s) are torqued the insert will “form” to the seam similarly to as shown in **(Fig 6)**. This allows the insert to better engage with a variety of seams.



S-5!® Warning! Please use this product responsibly!

Products are protected by multiple U.S. and foreign patents. For published data regarding holding strength, fastener torque, patents, and trademarks, visit the S-5! website at www.S-5.com. Copyright 2020, Metal Roof Innovations, Ltd. S-5! products are patent protected. S-5! aggressively protects its patents, trademarks, and copyrights. NH15-V1.1-0920