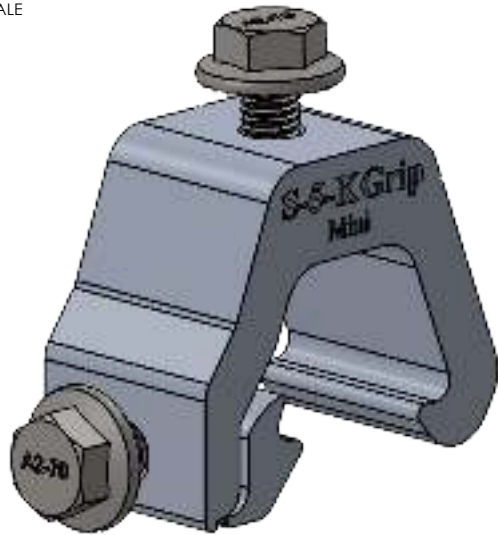


S-5-K Grip Mini

ISOMETRIC 1:1 SCALE



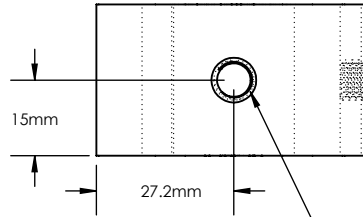
Back

Left

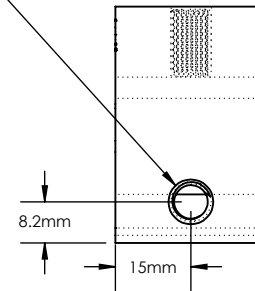
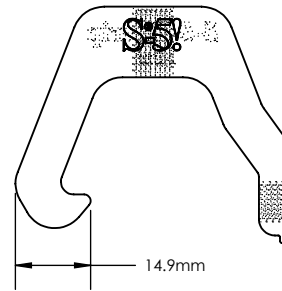
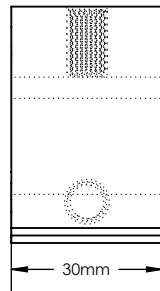
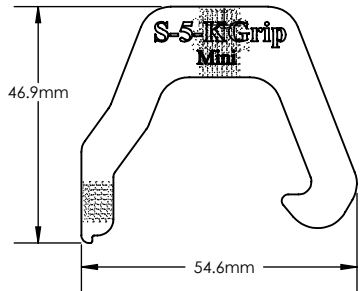
Front

Right

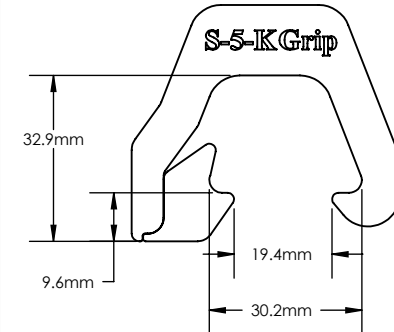
Top



(2x) M8-1.25 THREADED HOLE

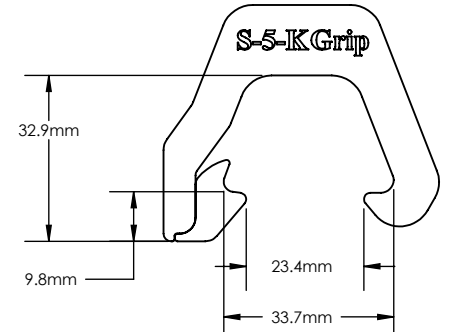


S-5-K Grip with GXM 10 Insert

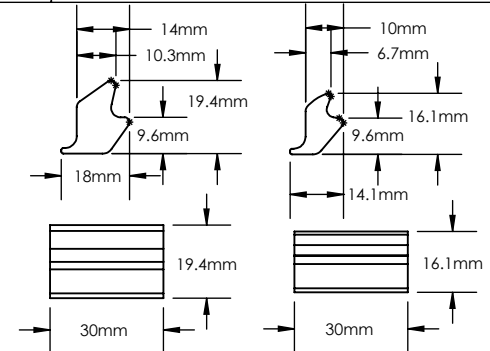


Scale 2:3

S-5-K Grip with GXM 50 Insert



Scale 2:3



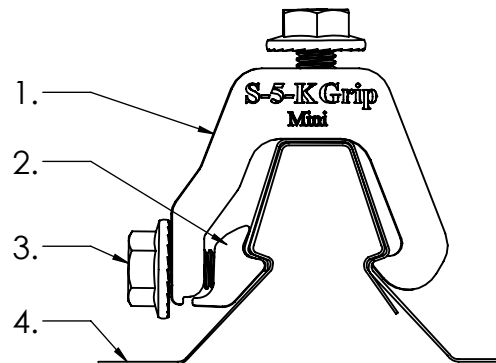
INSERTS SHOWN AT 1:2 SCALE

Fits with **S-5-GXM 10** insert:
 LYSAGHT KLIP-LOK® 406
 McElroy Metal Mirage
 AEP Span Klip-Rib®
 Metal Sales Clip-Loc
 SpeedDeck® SpeedDeck®
 Safintra Saflok 410
 Safintra Saflok 700
 Domico Dach®
 And other similar profiles

Fits with **S-5-GXM 50** insert:
 LYSAGHT KLIP-LOK Classic® 700
 LYSAGHT KLIP-LOK 700 Hi-Strength®
 Stramit® Speed Deck Ultra®
 Fielders KingKlip® 700
 And other similar profiles

General Notes:

1. S-5-K Grip Mini Clamp
2. S-5-K Grip Mini Insert
3. M8-1.25 Stainless Steel Hex Flange Bolt (13mm Socket)
4. Example Roof



FOR STANDING SEAM SPECIFIC MECHANICAL LOAD TEST INFORMATION AND CLAMP INSTALLATION INFORMATION PLEASE VISIT: WWW.S-5.COM

MATERIAL:
6061 T6 Al

EST ASSEMBLY WEIGHT:
With GXM 10: 124.74 g
With GXM 50: 118.39 g

SUPPLIED HARDWARE:
(2x) M8-1.25 x 16 mm Bolt



METAL ROOF INNOVATIONS, LTD.
 8655 TABLE BUTTE RD
 COLORADO SPRINGS, CO 80908
 719-495-0518
 719-495-0045(FAX)

SCALE: 2:3

TITLE: S-5-K Grip Mini

DRAWING NO.: KG47-A-1-D

DRAWN BY: Paul Leitch

DATE: 5/22/2017

EST. WEIGHT:
Clamp: 78.47 g
Bolt: 15.65 g
GX 10 Mini Insert: 14.97 g
GX 50 Mini Insert: 8.62 g

S-5!® PRODUCTS ARE PROTECTED BY MULTIPLE U.S. AND FOREIGN PATENTS. VISIT OUR WEBSITE AT WWW.S-5.COM FOR COMPLETE INFORMATION ON PATENTS AND TRADEMARKS.