

S-Clamps



The **S-5!® S-Clamps**, made of Aluminium, have an **opening slot of 14mm** and are extremely versatile for a big number of industrial seams and roll-formed profiles such as **Snap-together profiles, Fischer Kliptec, Privé** or similar. The S-Clamps are also well suited on **standard angle seams**.

The **S-Clamp with two set-screws** (and two M8 threads on top and one M8 stainless steel bolt) is used for heavy demands e.g. fall protection systems and in the ColorGard® snow retention.

S-Clamp is packed with 30 pieces per box.

The **S-Mini with one set-screw** (and M8 thread and M8 stainless steel bolt) are utilized in various instances when multiple clamps are required for the attachment of rigid objects to the seams e.g. rails, S-5! PV-Kit or the RoofTech one- and double-tube snow retention.

For flange solutions we offer three different stainless-steel adapter plates.

S-Mini is packed with 50 pieces per box.

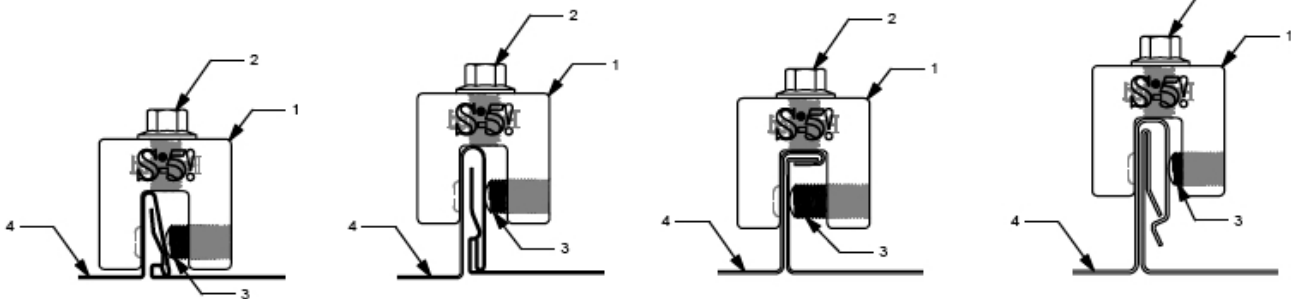
Each box also includes a S-5! 3/16" bit tip for tightening setscrews using an electric screw gun. The S-5-S-Clamps are compatible with most common metal roofing materials excluding copper.



S-Clamp



S-Mini



The S-Clamps are versatile for a big number of industrial profiles: 1. Correct Placing of the S-Clamp and S-Mini, 2. M8 Stainless Steel Bolt, 3. 3/8" S-5! Setscrew, 4. Example Profile

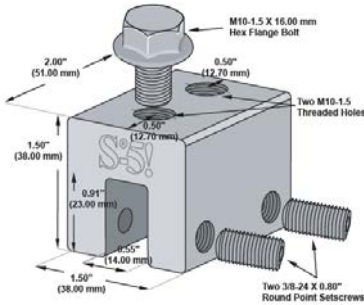


Examples of applications: Fall Protection, S-5! ColorGard Snow Retention, Solar Installations, Stairs, Walkways, etc..

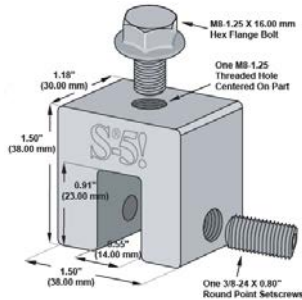
All S-5!® Clamps are tested on different materials and profiles by a third-party A2LA accredited lab - the highest-regarded in the industry - and follow strict ASTM standards. This type of test tests the clamp itself and the connection of the clamp to the profile under test conditions. Tests made with load pulling parallel (shear) to seam and with load pulling normal (tensile) to seam. The test results proved the outstanding performance of the S-5!® clamps.

Please don't hesitate to contact us for more information and technical assistance.

S-Clamps



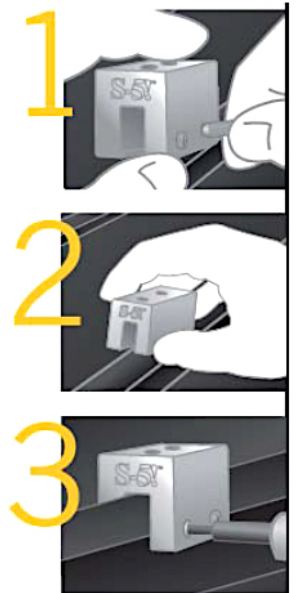
S-5!® S-Clamp



S-5!® S-Mini

To install the S-5!® S-Clamps:

- Partially thread the setscrews into the clamp by hand.
- Determine how to position the clamp: see drawings on first page. When attaching to machine-folded seams (regardless of panel profile and geometry), S-5! clamps are designed to engage the seam as shown in illustration on top; with setscrew opposite seam fold. On many snap-together type seams, the setscrews are on the open (or overlap) side of the seam. On some seams, this aspect of clamp orientation is not critical.
- **Don't fix the S-clamps on or beside the clips (halter) of the profile.** The thermal elongation of the panels may not be hindered!
- The set screws are fitted with the S-5! mounting bit with a tightening force of 15 -17 Nm. For galvanized steel with a thickness of more than 0.7 mm, tighten with 18 - 20 Nm.
- Tighten the set screws on the S-Clamps and tighten both again.
- Many screw-drivers do not always offer a constant tightening force. The tightening force must therefore be checked with a calibrated torque wrench and the set screws tightened if necessary.
- If the enclosed M8x16 stainless steel screw is used for mounting the further application, it must be tightened with a torque of 18 Nm.



Please note in general:

Please make sure that the load coming into the clamp will be taken by the structure of the roof. When planning the project, the calculated loads should not only include wind, snow and planned use. The makers and supplier of S-5!® clamps make no representations with respect to these variables. It is the responsibility of the user to verify this information, or seek assistance from a qualified design professional or stress analyst, if necessary.

Assumption is that the determination has been made that the roof to which the S-5! clamps will be attached is structurally adequate. Any loads imposed on the S-5! clamps will be transferred to the panels. Panel seams must have sufficient flexural strength to carry these loads. Panels must also be adequately attached to the building structure, and the structure must be sufficient to carry these loads. The makers and distributor of S-5! clamps make no representations with respect to these variables. It is the responsibility of the user to verify this information, or seek assistance from a qualified design or structural professional, if necessary.

For critical installations, inquire for specific test data of ultimate tensile load on specific panel materials and seam types. When tabled values are used, screw tensions should be verified and factors of safety should be used as appropriate. The manufacturer expresses no opinions as to the suitability of the S-5! for any specific application or project condition.

When mounting rigid objects such as rails, pipes, cable ducts, etc. on the clamps, these must be separated at regular intervals (max. 3m) in order to limit deformation due to thermal length changes.

The material properties of the respective metals, the combination with each other as well as the installation instructions and regulations of all manufacturers involved (including those of the metal roof) must be observed.

S-5! Clamps are not suitable as fall protection applications. The S-5! clamps may only be used for this purpose in a certified and approved fall protection system. The respective system provider is responsible for this and must provide proof of this.

The user and/or installer bears also the responsibility not only for the professional installation, but also for the roof on which he is mounted. The user and/or installer must always clarify in advance the application possibilities and application of our products in connection with the other used materials and products at the single project.

The responsibility for the assembly and the applications is in principle not accepted from RoofTech GmbH und S-5!® – Metal Roof Innovations Ltd.. No liability for printing errors. Technical changes subject to modification. Further information: www.rooftech.de and www.s-5.com.

© 03/2019 Copyright RoofTech GmbH and S-5!® – Metal Roof Innovations Ltd.